

# **GAMBLER TOOL SET**

**2**



To repair or replace the bearings of the pivot points of Gambler we offer following articles:

210121	TOOL- Swingarm GAMBLER 1size
210126	SWINGARM-Rep.Set GAMBLER 1size

The tool set will contain, beside all tools in stainless steel quality, a CD showing all steps of the bearing disassembly and assembly as well as all needed technical data as e.g. tightening torques etc.

The Swingarm Rep Set will contain beside the bearings all nuts and bolts to replace all moving parts or parts of wear and tear of a Gambler bike.

Pls have a look at following pics giving you an overview about all needed steps.

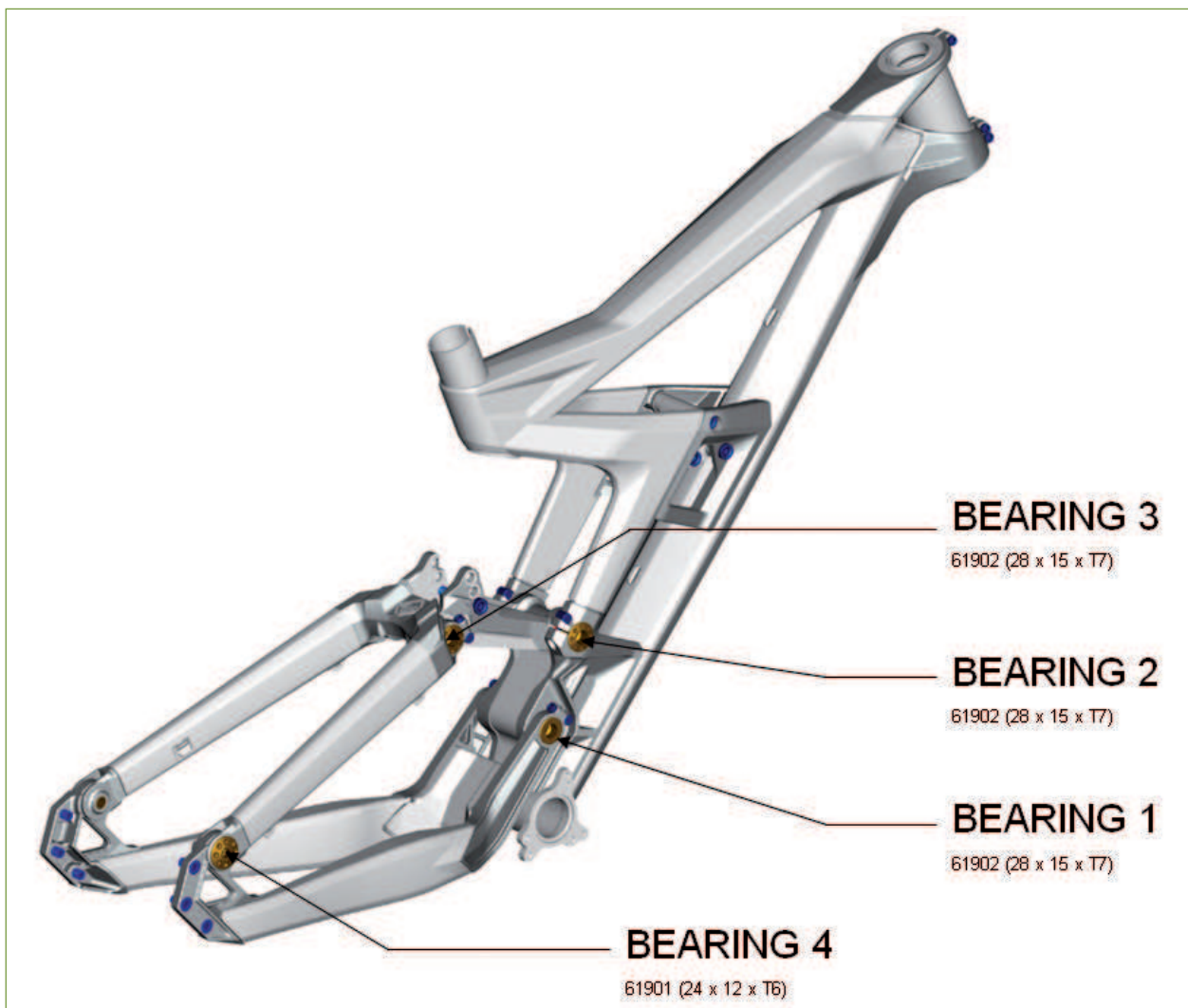
The bearings are standard size and can also be ordered in local hardware stores, in case customers do not want to replace all parts.

One frame needs following bearings:

- 2 x 61901 (24x12xT6)
- 6 x 61902 (28x15xT7)



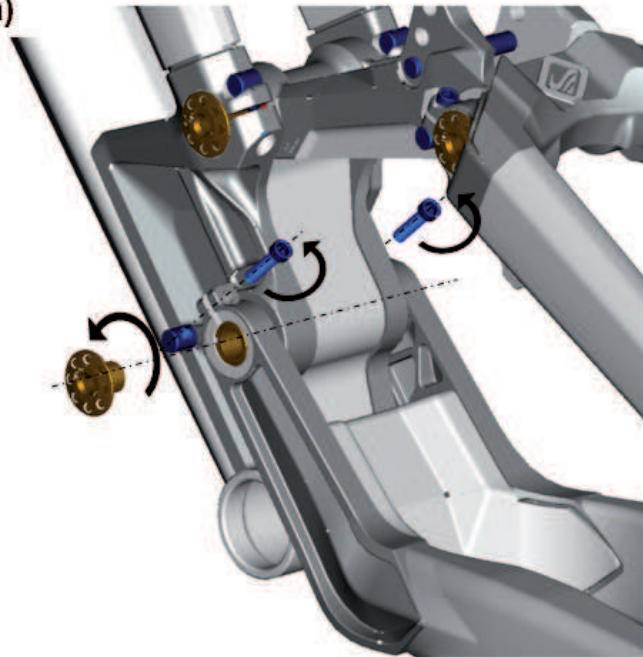
PART NAME	QTY.	PICTURE
S1	1	
S2	1	
S3	1	
S4	1	
S5	1	
S6	1	
S7	1	
S8	1	M8
S9	1	



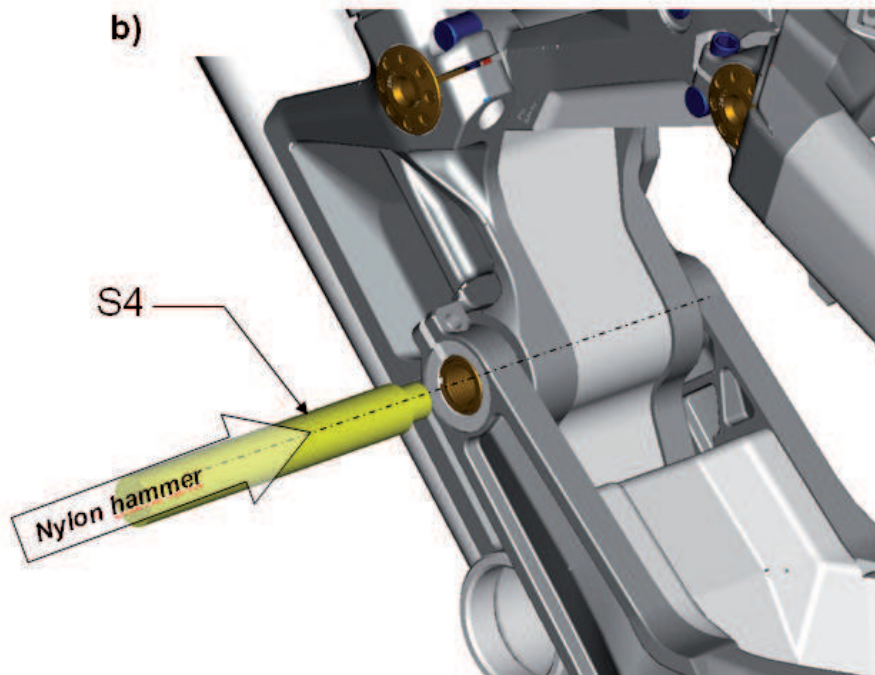


**BEARING 1 / TAKE OFF (1)**

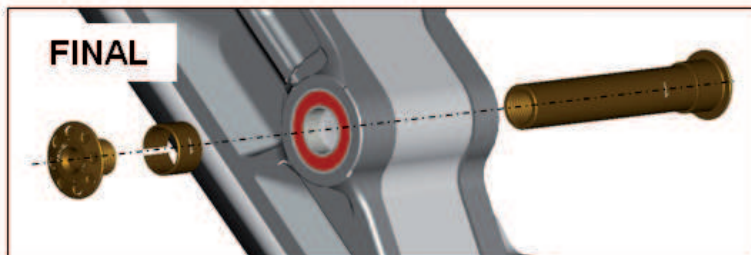
a)

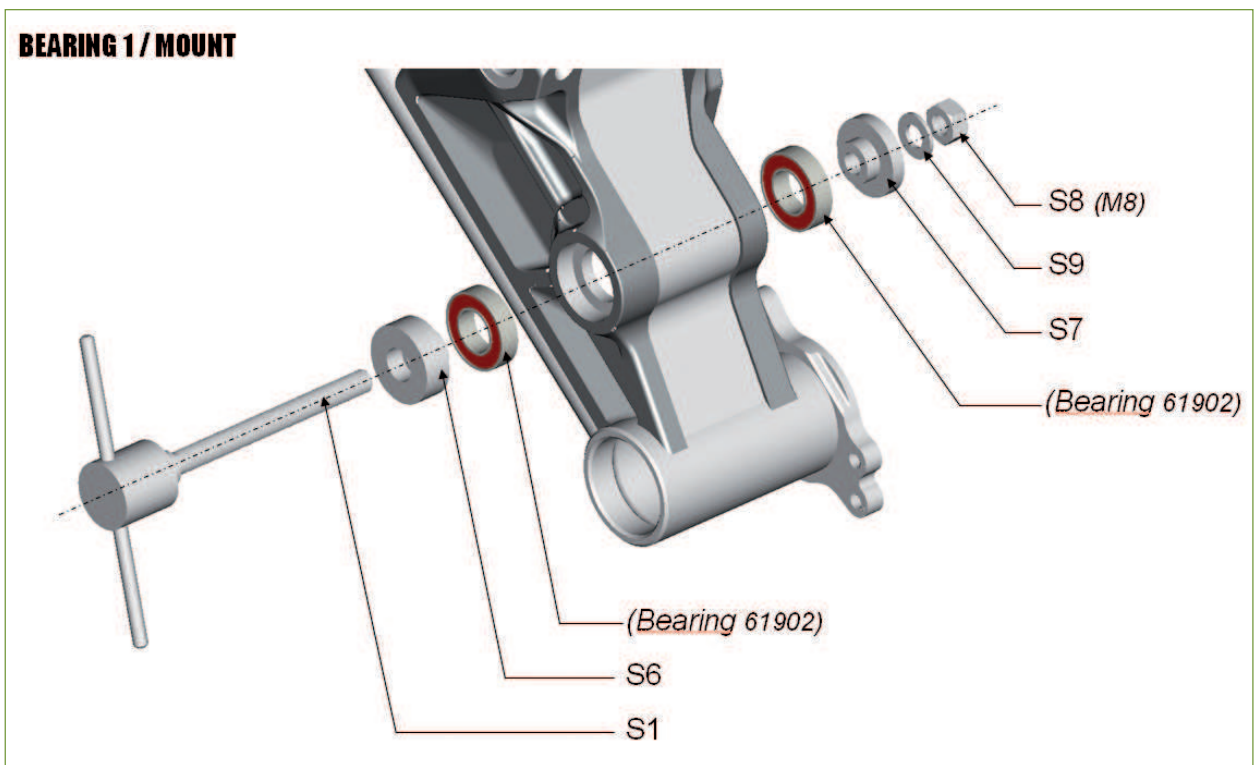
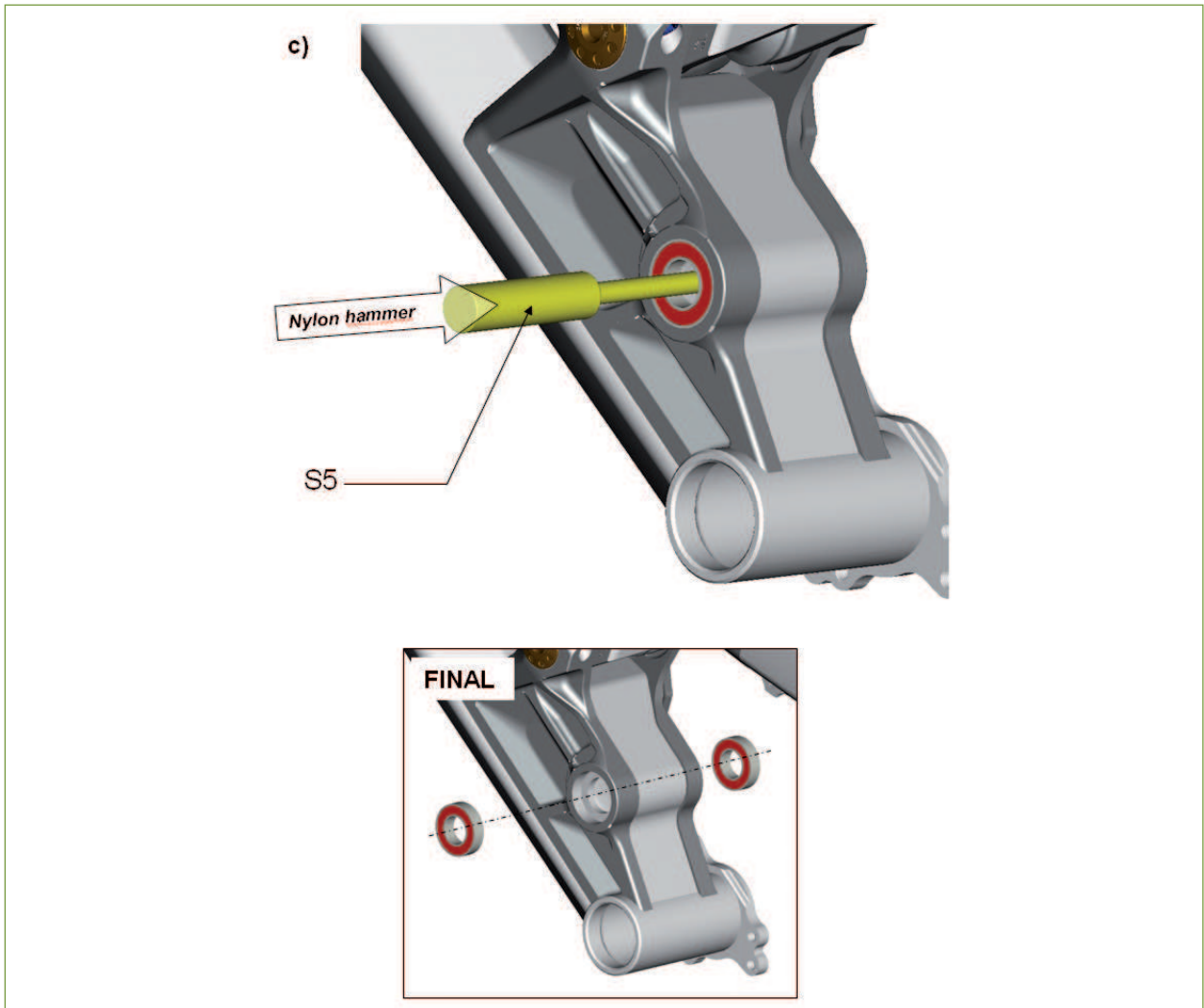


b)



**FINAL**

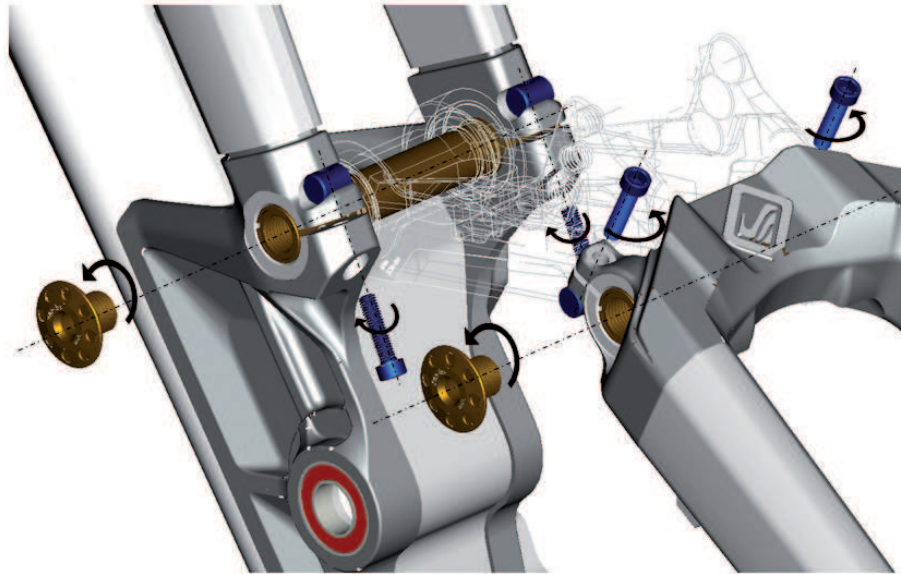




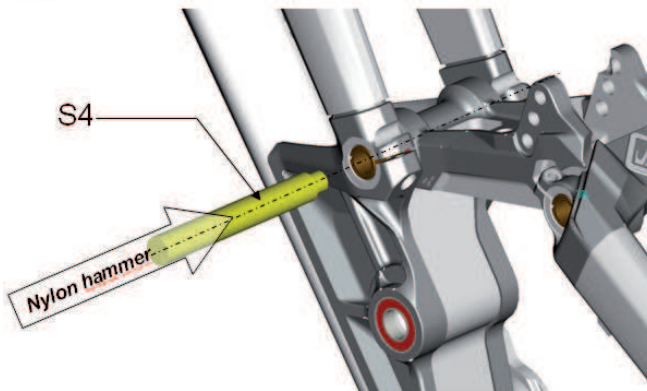


**BEARING 2 & 3 / TAKE OFF (1)**

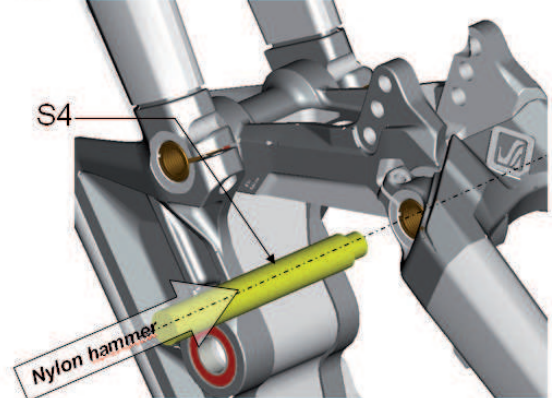
a)



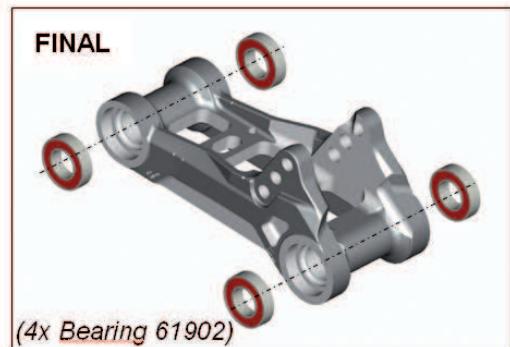
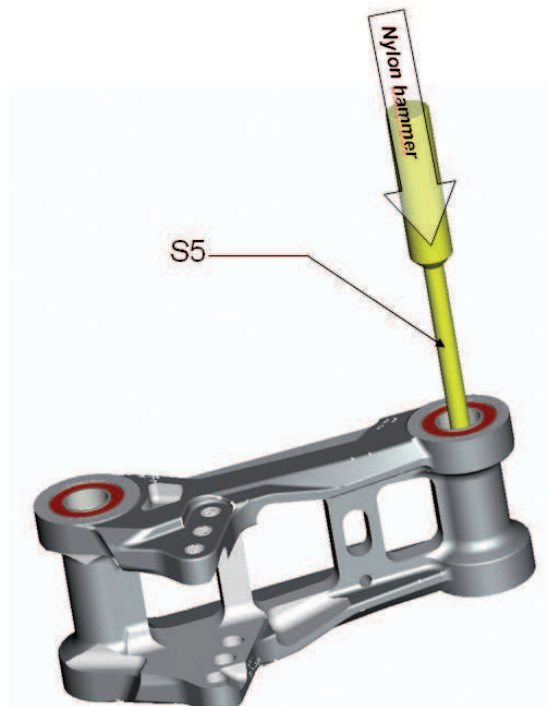
b)



c)

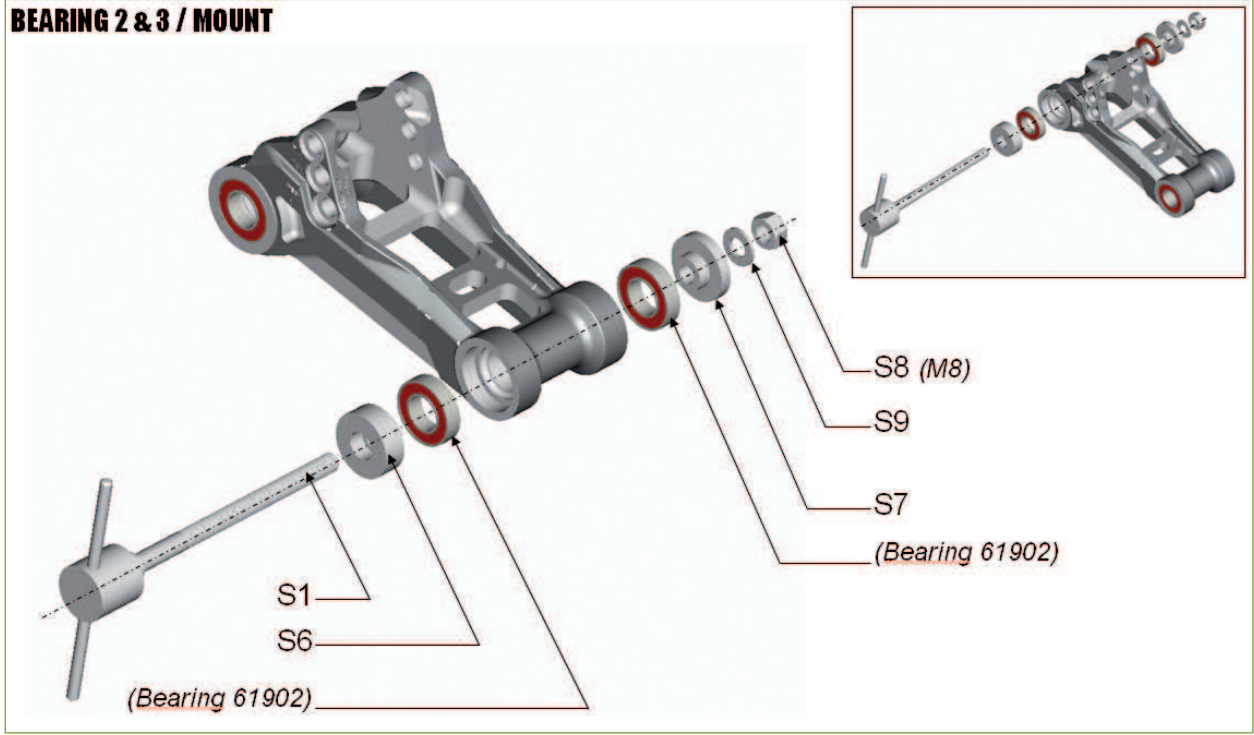


d)





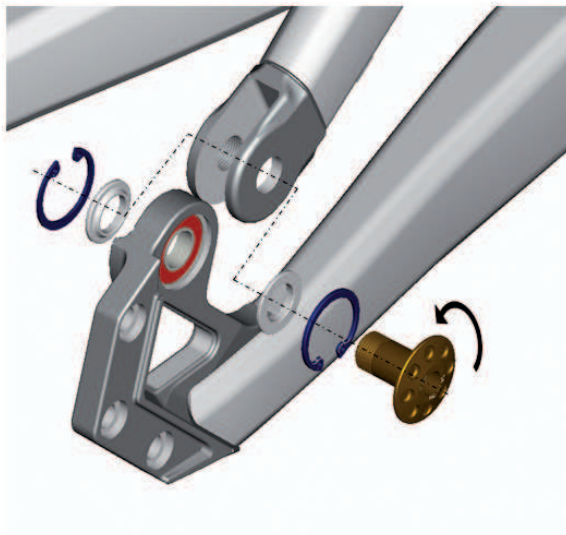
**BEARING 2 & 3 / MOUNT**



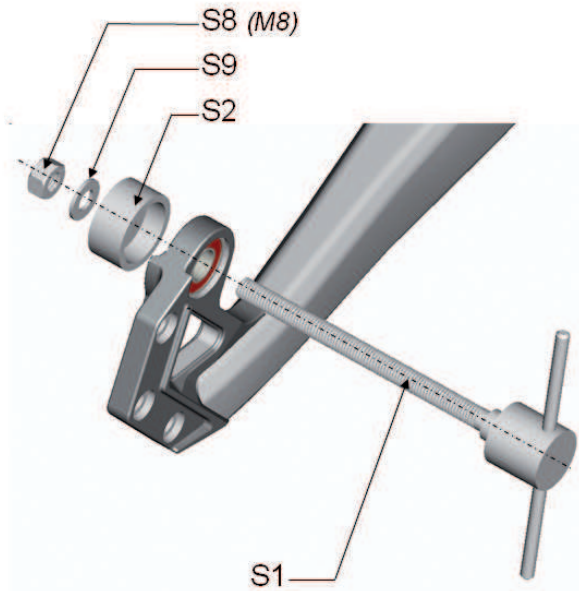


**BEARING 4 / TAKE OFF**

a)



b)



**BEARING 4 / MOUNT**

